

ultra-thin

customizable

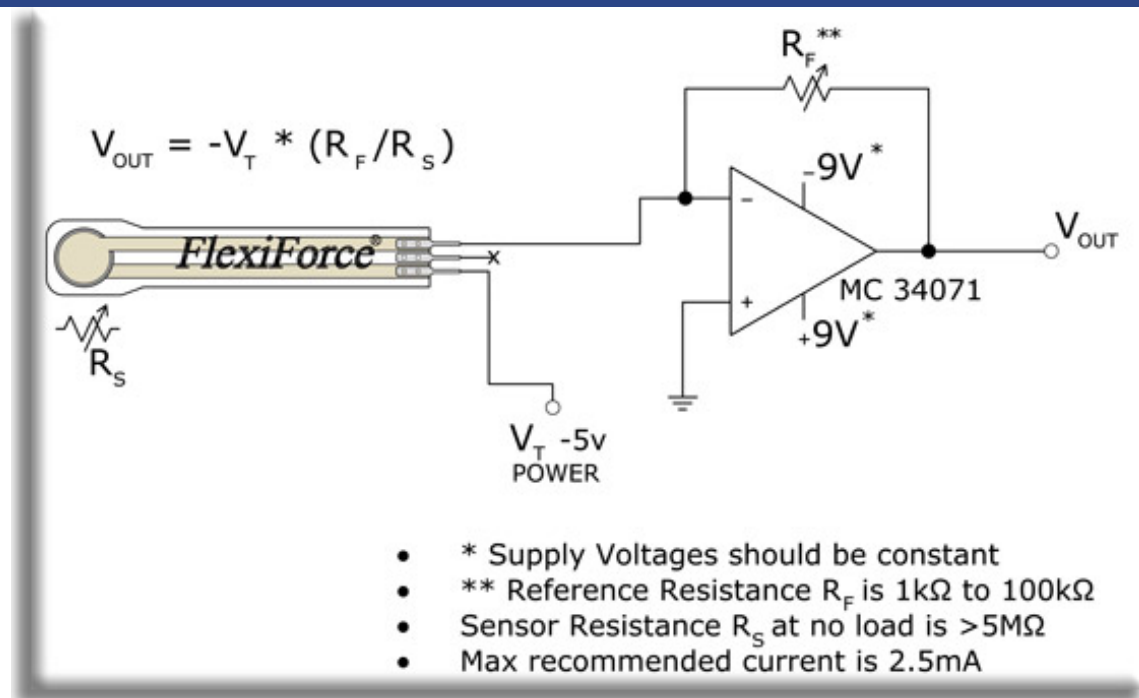
flexible

FlexiForce® Sensors - Specifications & Features[Sensor Description](#) | [Download Sensor Specs](#)

A201 Sensor	
Physical Properties	
Thickness	0.008" (.208mm)
Length	8" (203mm) 6" (152mm) 4" (102mm) 2" (51mm)
Width	0.55" (14mm)
Sensing Area	0.375" diameter (9.53mm)
Connector	3-pin male square pin
Thickness	0.008" (.208mm)
Typical Performance	
Linearity Error	< +/-5%
Repeatability	< +/-2.5% of full scale (conditioned sensor, 80% force applied)
Hysteresis	< 4.5% of full scale (conditioned sensor, 80% force applied)
Drift	<5% per logarithmic time scale (constant load of 90% sensor rating)
Response Time	<5 microseconds
Operating Temperatures	15°F to 140°F (-9°C to 60°C)
Force Ranges	0-1 lb. (4.4 N) 0-25 lbs. (110 N) 0-100 lbs. (440 N)*
Temperature Sensitivity	Output variance up to 0.2% per degree F (approximately 0.36% per degree C)



* See recommended drive circuit. In order to measure forces above 100 lbs. (up to 1000 lbs.), apply a lower drive voltage and reduce the resistance of the feedback resistor (1 kΩ min).



Example of excitation circuit

To Request More Information- [click here](#)

Tekscan, Inc. 307 West First Street. South Boston, MA. 02127-1309, USA
tel: 800.248.3669 / 617.464.4500 fax: 617.464.4266 marketing@tekscan.com

